

# SHARP

**MX-5112N/MX-4112N**  
Digital Full Colour Multifunctional System



HIGHLY PRODUCTIVE  
A3 COLOUR MFP

You need more. You want it faster. **/This is Why** we developed the next generation of MFPs.

## It's easier to just point at what you want /This is Why we use finger-swipe control.

Finger-swipe control opens the door to a whole new way of working. Simply walk up to the MFP, touch the screen, and flick or slide your finger for effortless control of every document, function and setting.

Similar technology has already revolutionised smart phones and tablet PCs. Now it's time to transform the way we handle documents.

### ADVANCED PREVIEW & EDITING FUNCTIONS - WITH FINGERTIP CONTROL



### Do more, faster

Finger-swipe technology makes it easy for everyone to get the most out of these powerful A3 colour MFPs. Start with a standard model for high speed network printing and copying, fast scanning, a hard drive for storing jobs, Sharpdesk document management software and industry-leading security.

Then customise it with extra value options.

There's a choice of high speed double-sided document feeders, a retractable keyboard for easy data entry, fax, Wi-Fi connectivity, extra paper trays, a Mirroring Kit to back up the hard drive, and a huge range of professional finishing options.

You can even add full internet access. So now your colleagues can browse for and print web content without the need for a PC. What's more, you can add Sharp OSA® to connect to the 'Cloud' and run Software as a Service (SaaS) applications\* developed by Sharp's Technology Partners.



\* Please check availability of Sharp OSA applications.

## Go wireless

The MX-5112N and MX-4112N are perfect for wireless networks, too. Just plug the optional Wi-Fi adaptor\* into a USB port at the back of the MFP to extend its full functionality across the network.



TOTAL PRODUCTIVITY  
FOR THE ENTIRE TEAM

\* Available at a later date.

## Performance is the foundation of productivity **/This is Why** our MFPs work harder.

The 51 pages per minute (ppm) MX-5112N and the 41ppm MX-4112N can cope with the heaviest workloads at top speed in colour and black & white. And as well as having an inherently robust design, they were designed from the start to get more done, faster.

Look at the specifications. Auto Colour Mode make accurate colour copying a one touch process. The first page appears in 5.7<sup>\*1</sup> or 6.7<sup>\*1</sup> seconds, depending on the model. You can scan 75<sup>\*2</sup> originals every minute (both sides). The paper supply can grow to 5,600 sheets. Then there are the finishing options.

Choose from a space-saving inner finisher for simple sorting and stapling; an A3 wide saddle-stitch finisher; standard and high-capacity finishers with stapling, saddle stitching and booklet making capabilities, and a variety of hole punch modules.



SPACE-  
SAVING  
INNER  
FINISHER

PROFESSIONAL  
BOOKLET  
MAKING



\*1 Best achieved time based on A4 copy, long-edge feeding from 1st paper drawer, using document glass when machine is ready, without Auto Colour Selection. May vary depending on machine conditions and operating environment.

\*2 Duplex Single Pass Feeder only.

### Attention to detail

Sometimes it's the little things that make a difference. Like USB ports for walk-up, driverless printing\*<sup>1</sup> and/or a Wi-Fi adaptor. And a not-so-little 10.1" touchscreen which can be customised for individual users and which tilts\*<sup>2</sup> for comfortable viewing.

Plus, you get on-screen single-page, 3D and thumbnail previews of your documents, and the ability to rotate, re-order, delete and insert pages simply by sliding your fingers around. Even the User Guide is accessible on-screen.

### TILTABLE PANEL WITH RETRACTABLE KEYBOARD OPTION



### TWO CONVENIENT USB PORTS PROVIDED FOR WALK-UP PRINTING

\*<sup>1</sup> Feature supports PDF, compact PDF, TIFF, XPS, and JPEG files. Direct PDF printing requires optional MX-PK11. Direct XPS printing requires optional MX-PUX1 and MX-SM10.

\*<sup>2</sup> Some positions are not available with the Finishers installed.

## Information breeds success /This is Why we send it where you need it.

The MX-5112N and the 41ppm MX-4112N let you unlock your business information by making sure it gets to the people who need it most. Their powerful scanning capabilities let everyone capture and share information, finger-swiping their scans to their own or other email addresses, their desktops, network locations and USB memory sticks.

Scanning really is first class. Small characters are clear and easy to read. Colour sweeps are smooth and accurate. A resolution that's adjustable to 150 dpi lets you create smaller files without compromising clarity, and it's easy to adjust the contrast and sharpness to compensate for any 'difficult' documents.

Sharp's OSA Network Scanning Tool\* option provides one-touch, automated scanning to your PC or network drive through predefined and customisable scanning profiles. Scanned documents can quickly be printed, filed, previewed, shared, and stored, saving time and improving workflows. Similar profiles can be used to control complex, often repeated print jobs.

Even high volume scanning is effortless thanks to thoughtful innovations that automatically stamp originals as they're scanned and skip blank pages entirely.

FAST 75 OPM  
SCANNING



\*Requires optional MX-AMX2.

# Our children will inherit this world /This is Why we're making our products greener.

These are two of our most environmentally responsible MFPs ever. Both machines are Energy Star-certified, their warm up times\* are less than 34 seconds (MX-5112N) and 30 seconds (MX-4112N), and they use specially developed consumables for lower consumption and a long-life photoconductor.

In addition, their self-adjusting and pre-set auto shut down capabilities and a special Eco Scan Mode - which switches the fuser roller off whenever appropriate - help to reduce your energy consumption and save you money.



## PRE-SET MFP ON/OFF TIMES



LOW ENERGY LED LIGHTS

Settings		Cancel	LINE	PRINTER	Job Status
<ul style="list-style-type: none"> <li>Top Page</li> <li>Status</li> <li>Address Book</li> <li>User Control</li> <li>System Settings</li> <li>Network Settings</li> <li>Application Settings</li> <li>Energy Save</li> <li>Eco Setting</li> <li>Eco Scan Setting</li> <li>Power Management</li> </ul>	<div style="text-align: right;">Logout</div> <h3>Power ON/OFF Schedule Setting</h3> <p>Submit Update</p> <p><input checked="" type="checkbox"/> Setting 1</p> <p>Power ON: 08 Hour 00 Minute</p> <p>Power OFF: 19 Hour 00 Minute</p> <p>Day of the Week:</p> <p> <input checked="" type="checkbox"/> Monday           <input checked="" type="checkbox"/> Tuesday           <input checked="" type="checkbox"/> Wednesday           <input type="checkbox"/> Thursday           <input type="checkbox"/> Friday           <input type="checkbox"/> Saturday           <input type="checkbox"/> Sunday         </p> <hr/> <p><input type="checkbox"/> Setting 2</p> <p>Power ON: -- Hour -- Minute</p>				

\* At rated voltage. May vary depending on machines conditions and operating environment.

## Some things are best kept private /This is Why we protect them.

Sharp MFPs incorporate some of the industry's toughest commercially available security features. Both models have password-controlled access for routine user authentication and a useful Data Initialisation feature to erase data from your MFP when the time comes to replace it. These are standard.

If your team routinely handles confidential information you may want our Data Security Kit\*, too. This prevents unauthorised copying, scanning, faxing and filing; and can encrypt and securely erase data on the hard disk and internal memory, automatically or on demand.

For sensitive environments, a third party card reader adds even tighter access control, and a secure network interface, SSL, IPsec and port-based network protection defend against the most determined attacks.

We guard against accidents, too, with features such as password-protected PDFs, a Hidden Pattern Print feature which can reveal a watermark (e.g. 'CONFIDENTIAL NOT FOR COPY') and Confidential PIN Printing which requires the user to be present at the MFP before the print run can start.



MULTI-LEVEL  
SECURITY

\*Requires optional MX-FR33U.



## There never seems to be enough hours in the day **/This is Why** our MFPs are easy to own and manage.

The MX-5112N and MX-4112N are truly easy to manage. Every important setting can be configured from a dedicated web page.

A **Printer Status Monitor** on your PC lets you check that there's enough toner and paper before you start a job. A glance at the **Job Status Screen** will reveal every copy and print job and its position in the queue. And an alert will pop up as soon as your documents are printed.

Your support staff will love them, too.

A **Remote Diagnosis** feature monitors the MFPs through a web browser, and they'll get timely email messages when maintenance is required.

Sharp **Remote Device Manager** gives them real-time control of your Sharp MFPs - again, through a browser - making technical support, driver installation and firmware upgrades easier than ever.

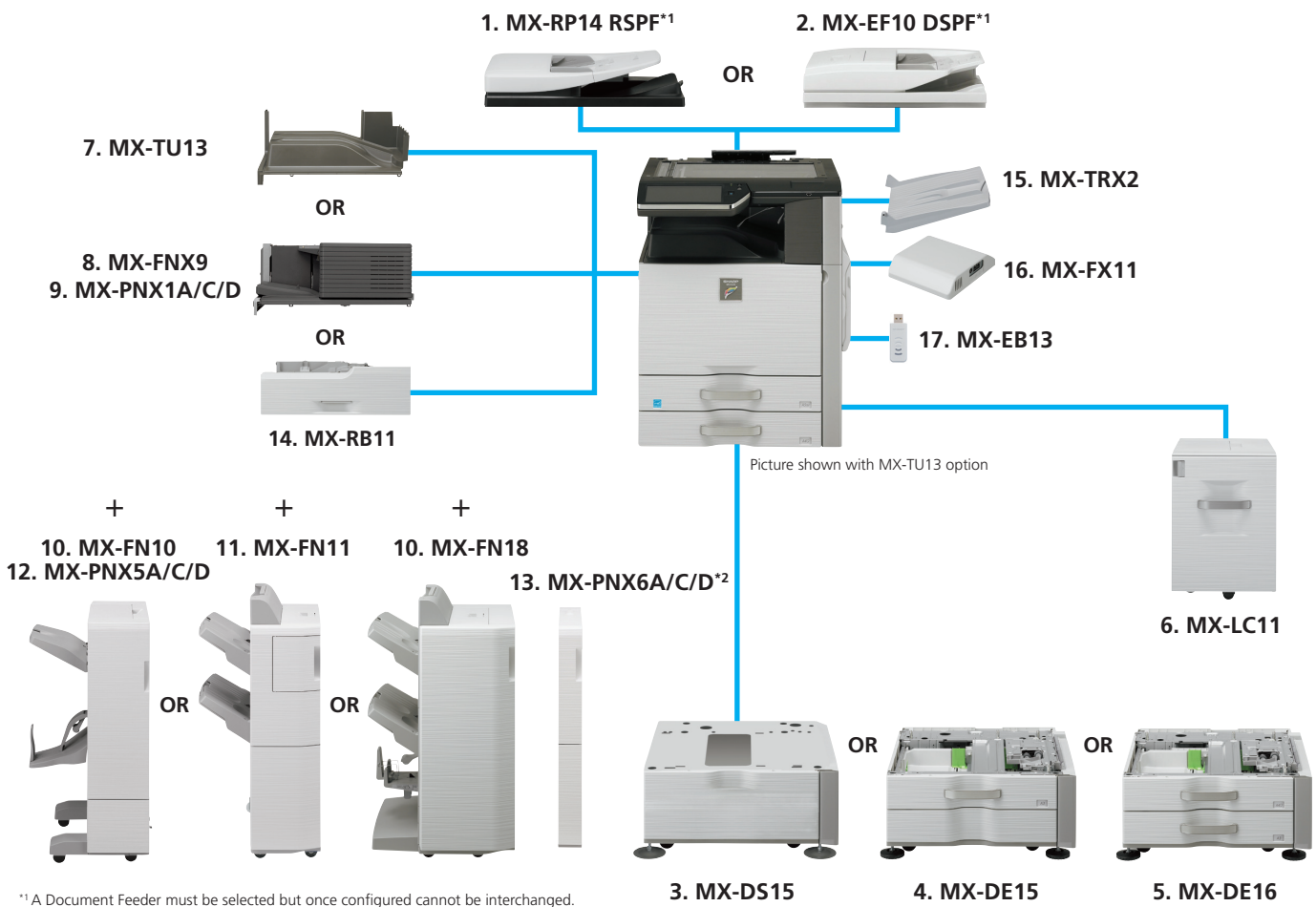
They can even remotely view\* and operate the front panel display, taking control, changing settings, fixing problems and providing ad hoc training, without ever leaving their desks, thanks to our innovative **Remote Access Control Panel**.



ACCESS USER MANUAL DIRECTLY  
FROM THE MFP PANEL

\*Requires VNC application.

# OPTIONS & CONFIGURATION EXAMPLES



\*1 A Document Feeder must be selected but once configured cannot be interchanged.  
 \*2 Punch module for MX-FN11 AND MX-FN18



Base Unit  
 Finisher (MX-FNX9)  
 Stand with 2 x 500-Sheet  
 Paper Drawers  
 Exit Tray



Base Unit  
 1K Saddle Stitch Finisher (MX-FN10)  
 Punch Module (MX-PNX5A/C/D)  
 Paper Pass Unit  
 Stand with 2 x 500-Sheet Paper Drawers  
 Exit Tray  
 Large Capacity Tray



Base Unit  
 4K Saddle Stitch Finisher (MX-FN18)  
 Punch Module (MX-PNX6A/C/D)  
 Paper Pass Unit  
 Stand with 2 x 500-Sheet Paper Drawers  
 Exit Tray  
 Large Capacity Tray

## Base Unit

### MX-KB11 Keyboard

- 1. MX-RP14 Reversing Single Pass Feeder** 100 sheets
- 2. MX-EF10 Duplex Single Pass Feeder** 150 sheets
- 3. MX-DS15 Stand** - For MFP height adjustment
- 4. MX-DE15 Stand with 1 x 500-Sheet Paper Drawers**  
A3 to B5R, 500 sheets each (80 g/m<sup>2</sup>) for lower and upper trays
- 5. MX-DE16 Stand with 2 x 500-Sheet Paper Drawers**  
A3 to B5R, 500 sheets each (80 g/m<sup>2</sup>) for lower and upper trays
- 6. MX-LC11 Large Capacity Tray**  
A4 to B5, 3,500 sheets (80g/m<sup>2</sup>)

## Finishing

- 7. MX-TU13 Exit Tray Cabinet Unit**
- 8. MX-FNX9 Finisher**  
A3W to A5R (non offset), A3 to B5 (offset/staple)  
Offset tray (upper): max. 500-sheet paper capacity\*<sup>1</sup>  
Stapling capacity: max. 50-sheet multi-position staple\*<sup>1</sup>  
Staple position: 3 locations (front, rear or 2 point stitching)
- 9. Optional Punch Module for MX-FNX9:**  
**MX-PNX1A/C/D** - 2/4/4 Hole Wide Punch Module
- 10. MX-FN10 Saddle Stitch Finisher (1,000-Sheet)**  
**MX-FN18 Saddle Stitch Finisher (4,000-Sheet)**  
A3 to B5 (offset/staple), A3W to A5R (non offset)  
Offset tray (upper): max. 1,000/4,000-sheet paper capacity\*<sup>1</sup>  
Stapling capacity: max. 50-sheet multi-position staple\*<sup>1</sup>  
Staple position: 3 locations (front, rear or 2 point stitching)\*<sup>1</sup>  
Saddle stitch tray (lower): 10 sets (11-15 sheets), 15 sets (6-10 sheets),  
20 sets (1-5 sheets). 15 sheets max per set.
- 11. MX-FN11 Finisher (4,000 sheet)**  
A3 to B5 (offset/staple), A3W to A5R (non offset)  
Upper Tray: max. 1,550-sheet paper capacity\*<sup>1</sup>  
Lower Tray: max. 2,450-sheet paper capacity\*<sup>1</sup>  
Stapling capacity: max. 50-sheet multi-position staple\*<sup>1</sup>  
Staple position: 3 locations (front, rear or 2 point stitching)\*<sup>1</sup>
- 12. Punch Module for MX-FN10**  
**MX-PNX5A/C/D** - 2/4/4 Hole Wide Punch Module
- 13. Punch Module for MX-FN11 and MX-FN18**  
**MX-PNX6A/C/D** - 2/4/4 Hole Wide Punch Module
- 14. MX-RB11 Paper Pass Unit**  
Required when using MX-FN10, MX-FN11 and MX-FN18
- 15. MX-TRX2 Exit Tray Unit**

## Faxing

### 16. MX-FX11 Fax Expansion Kit

Super G3 fax module

### MX-FWX1 Internet Fax Expansion Kit

## Connectivity

### 17. MX-EB13 Wi-Fi USB Adaptor\*<sup>2</sup>

## Printing

### MX-PK11 PS3 Expansion Kit

Enables PostScript printing

### MX-PUX1 XPS Expansion Kit

(MX-SM10 required)

### MX-SM10 Expansion Memory Board

### MX-PF10 Barcode Font Kit

### MX-AM10 Web Browsing Expansion Kit

Enables browsing of Internet from MFP panel

## Scanning

### AR-SU1 Stamp Unit

Marks already scanned documents for checking

### MX-EB11 Enhanced Compression Kit

Enables creation of high compression PDFs

## Sharpdesk Licenses

### MX-USX1/X5/10/50/A0

1/5/10/50/100-License Kit

## Sharp OSA®

### MX-AMX1 Application Integration Module

### MX-AMX2 Application Communication Module

### MX-AMX3 External Account Module

## Sharp OSA Network Scanner Tool Licenses

### MX-UN01A/05A/10A/50A/1HA

1/5/10/50/100-License Kit

(MX-AMX2 required)

## Security

### MX-FR33U Data Security Kit

Commercial version

(Common Criteria validated version will also be available at a later date)

### MX-EB12 Mirroring Kit

Second hard drive enabling data backup of files stored on HDD

\*<sup>1</sup> A4 or smaller, 80g/m<sup>2</sup>. Some options may not be available in some areas.

\*<sup>2</sup> Available at a later date.

## GENERAL

<b>Engine speed (ppm/cpm) (Max)</b>	A4	A3
<b>MX-5112N</b>		
Colour	51	23
B/W	51	23
<b>MX-4112N</b>		
Colour	41	19
B/W	41	19
<b>Paper size (Min – Max)</b>	A5R – A3W	
<b>Paper weight (g/m<sup>2</sup>)</b>		
Drawer	60 – 220	
Bypass	55 – 256	
<b>Paper capacity (Std - Max)</b>		
Sheets	1,100 – 5,600	
Drawers	2 – 4 (plus bypass and large capacity tray)	

<b>Warm-up time*1 (seconds)</b>		
MX-5112N	34	
MX-4112N	30	
<b>Memory (GB) (Min – Max)</b>		
Copier/Printer	3	
(Printer) Opt:	1	
HDD:	160*2	
<b>Power requirements</b>	Rated local AC voltage $\pm 10\%$ , 50/60 Hz	
<b>Power consumption (kW) (max)</b>	1.84 (200 – 240V)	
<b>Dimensions (mm) (W x D x H)</b>		
RSPF	643 x 761 x 952	
DSPF	643 x 761 x 966	
<b>Weight (approx) (kg)</b>	<b>RSPF</b>	<b>DSPF</b>
MX-5112N	119	127
MX-4112N	118	126

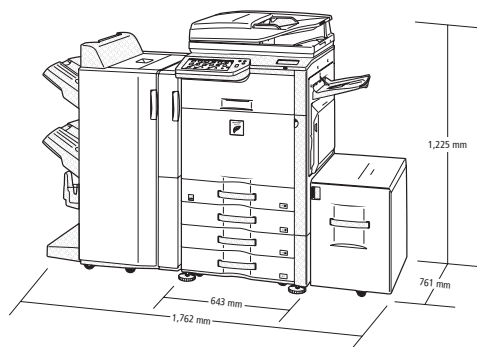
## COPIER

<b>Original paper size (Max)</b>	A3	
<b>First copy time*3 (seconds)</b>		
	Colour	B/W
<b>MX-5112N</b>	5.7	4.1
<b>MX-4112N</b>	6.7	4.7
<b>Continuous copies (Max)</b>	999	
<b>Resolution (Max) (dpi)</b>		
Scan (colour)	600 x 600	
Scan (b/w)	600 x 600, 600 x 400 dpi (not available with RSPF installed)	
Print	600 x 600, 9600 (equivalent) x 600*4 (depending on print mode)	
<b>Gradation levels</b>	256	
<b>Zoom range (%)</b>	25 – 400 (25 – 200 using RSPF) in 1% increments	
<b>Preset copy ratios</b>	10 (5R/5E)	

## COLOUR NETWORK SCANNER

<b>Scan method</b>	Push scan (via operation panel) Pull scan (TWAIN-compliant application)
<b>Resolution (dpi)</b>	
Push scan	100, 150, 200, 300, 400, 600
Pull scan	75, 100, 150, 200, 300, 400, 600, 50 – 9600*4
<b>File formats</b>	XPS*5, PDF, Encrypted PDF, JPEG, TIFF, Compact PDF*6, PDF/A
<b>Scanner utilities</b>	Network Scanner Tool, Sharpdesk
<b>Scan destinations</b>	Scan to e-mail, desktop, FTP server, network folder (SMB), USB memory, i-Fax*7

## EXTERNAL DIMENSIONS



MX-5112N/MX-4112N shown with options.

## NOTES

\*1 At rated voltage. May vary depending on machine conditions and operating environment.

\*2 1 GB = One billion bytes when referring to hard drive capacity. Actual formatted capacity is less.

\*3 Best achieved time based on A4 copy, long-edge feeding from 1st paper drawer, using document glass, when machine is ready, without Auto Colour Mode and Auto Colour Selection. May vary depending on machine conditions and operating environment.

\*4 Resolutions higher than 600 dpi are interpolated.

\*5 To view XPS files on PCs not running Windows Vista, you must have the XPS View application installed.

\*6 Requires optional MX-EB11.

\*7 Optional MX-FWX1 required.

\*8 Measured using Sharps' standard chart (A4 with 6% coverage, B/W). The Quick File folder shares the HDD with the Job Build function; up to 10 GB of data storage is available when using both functions.

\*9 Optional MX-FX11 required.

\*10 Optional MX-PK11 required for Mac OS, EtherTalk and PS3.

\*11 PS3 requires optional MX-PK11. XPS requires optional MX-PUX1 and MX-SM10.

\*12 Based on Sharp's standard chart with approx. 700 characters (A4 portrait) at standard resolution in Super G3 mode, 33,600 bps, JBIG compression.

## DOCUMENT FILING

<b>Document filing capacity (pages/or files)</b>		
Main and custom folders	20,000*8 or 3,000	
Quick file folder	10,000*8 or 1,000	
<b>Stored jobs</b>	Copy, print, scan, fax transmission*9	
<b>Storage folders</b>	Quick file folder, main folder, custom folder (max. 1,000)	
<b>Confidential storage</b>	Password protection (for main and custom folders)	

## COLOUR NETWORK PRINTER

<b>Resolution (dpi)</b>	1,200 x 1,200, 600 x 600, 9,600 (equivalent)*4 x 600	
<b>Interface</b>	USB 2.0 10Base-T/100Base-TX/1000Base-T	
<b>Supported OS*10</b>	Std	Windows® 2000/XP, Windows® Server 2003/2008/2008R2, Windows Vista®, Windows® 7
	Opt	Mac OS 9.0 - 9.2.2, Mac OS X 10.2.8, 10.3.9, 10.4.11, 10.5 - 10.5.8, 10.6 - 10.6.5, 10.7 – 10.7.2
<b>Network protocols*10</b>	TCP/IP (IPv4, IPv6), IPX/SPX (NetWare), NetBEUI, EtherTalk (AppleTalk)	
<b>Printing protocols</b>	LPR, Raw TCP (port 9100), POP3 (e-mail printing), HTTP, Novell Printer application with NDS and Bindery, FTP for downloading print files, EtherTalk printing, IPP	
<b>PDL emulation</b>	Std	PCL 6
	Opt*11	PS3, XPS
<b>Available fonts</b>	PCL	80
	PS3*11	36

## FAX (requires optional MX-FX11)

<b>Compression method</b>	MH/MR/MMR/JBIG	
<b>Communication protocol</b>	Super G3/G3	
<b>Transmission time*12 (seconds)</b>	Less than 3	
<b>Modem speed (bps)</b>	33,600 – 2,400 with automatic fallback	
<b>Transmission resolution (dpi)</b>		
	Std	203.2 x 97.8
	Ultra Fine	406.4 x 391
<b>Recording width</b>	A3 – A5	
<b>Memory (GB)</b>	1	
<b>Grey scale levels</b>	256	



Design and specifications are subject to change without prior notice. All information was correct at time of print. The ENERGY STAR logo is a certification mark and may only be used to certify specific products that have been determined to meet the ENERGY STAR programme requirements. ENERGY STAR is a US registered mark. The ENERGY STAR guidelines apply to products only in the US, Europe, Australia, New Zealand and Japan. Windows, Windows NT, Windows XP and Windows Vista are registered trademarks of Microsoft Corporation. SAP and all SAP logos are trademarks or registered trademarks of SAP AG in Germany and in several other countries. All other company names, product names and logotypes are trademarks or registered trademarks of their respective owners.  
©Sharp Corporation February 2012 Ref: MX-5112N/MX-4112N. All trademarks acknowledged. E&OE.

www.sharp.eu

**SHARP**